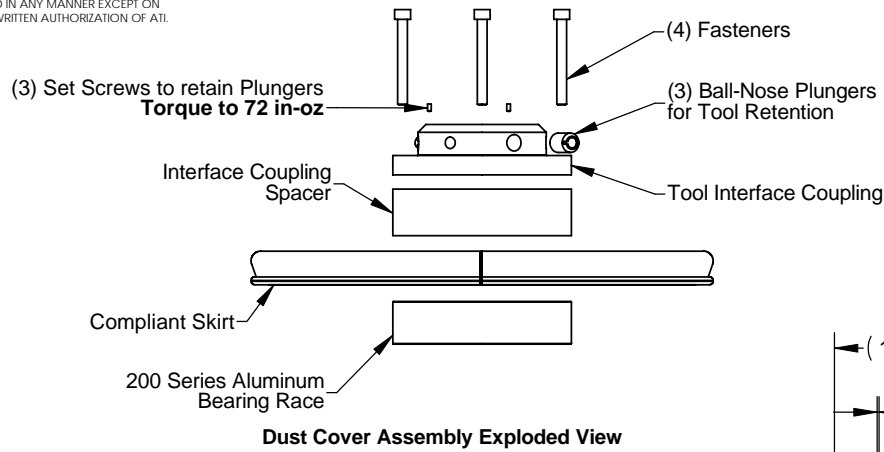
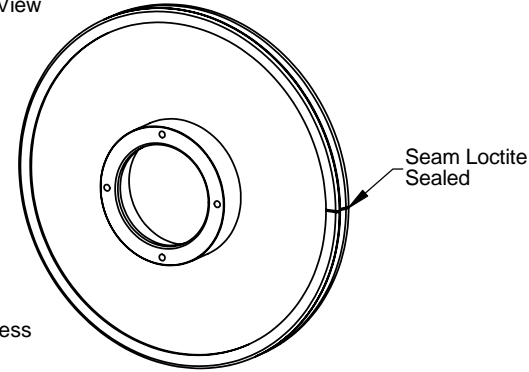


PROPERTY OF ATI INDUSTRIAL AUTOMATION, INC.
 NOT TO BE REPRODUCED IN ANY MANNER EXCEPT ON
 ORDER OR WITH PRIOR WRITTEN AUTHORIZATION OF ATI.

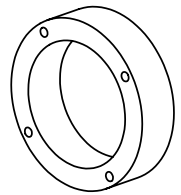
Rev.	Description	Initiator	Date
02	Added Part Numbers	KLP	2/28/2006
03	Ball Plungers retained by Set Screws.	CF	4/30/2008



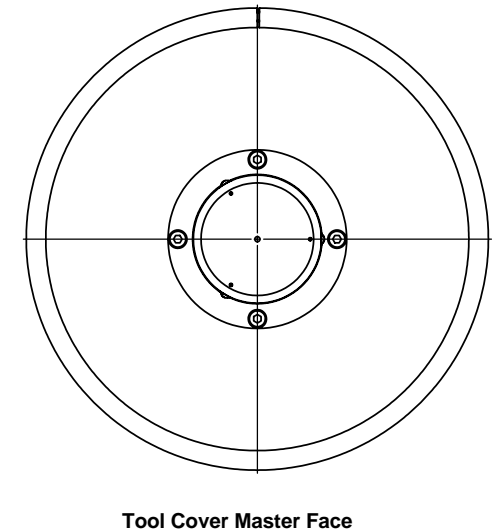
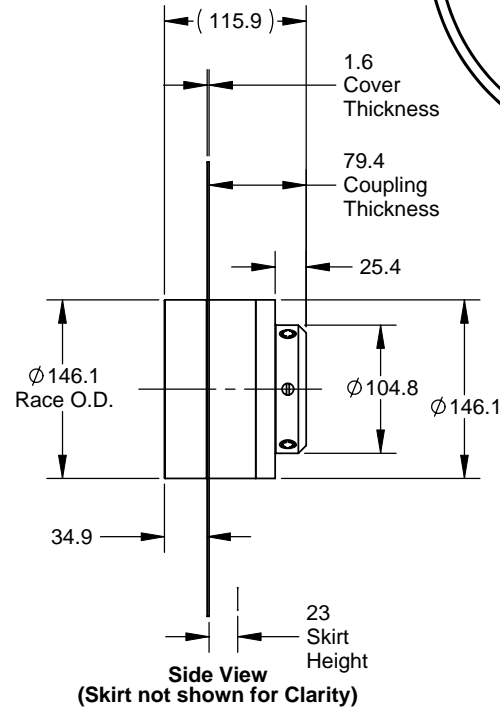
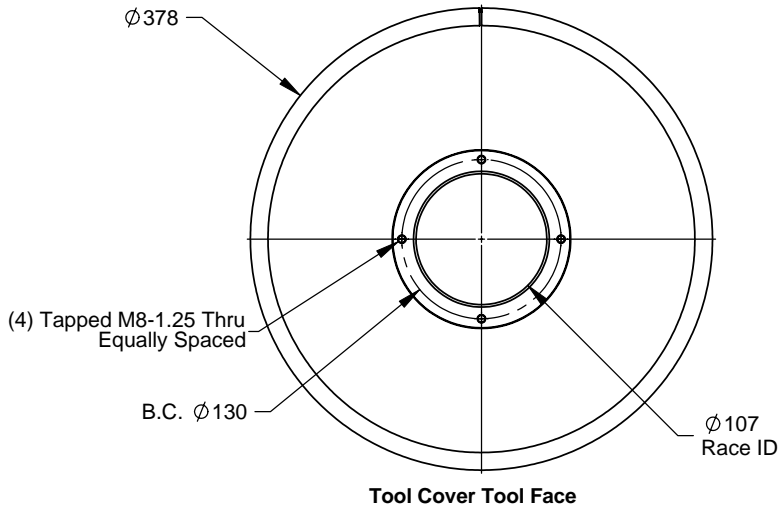
Dust Cover Assy. (A)
 Isometric View
 Scale 1:4



Al. Bearing Race (B)
 Isometric View
 Scale 1:4



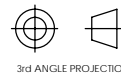
Seam Loctite Sealed



Part Numbers:
 (A) Complete Assembly: 9120-DC-201-3
 (B) Bearing Race: 9120-DC-3266

- Notes:
- Materials of Construction:
 - A. Master Interface Race, Aluminum
 - B. Cover, Thin Gauge Stainless
 - C. Tool Interface Coupling, Delrin
 - D. Skirt, EPDM Rubber w/ Retention Clips
 - E. Ball-Nose Plungers Stainless Steel Case with Nylon Ball Tip
 - F. Set Screws, M3-0.5 x 6 mm, Flatpoint, Steel
 - Flexibility to interchange cover sizes and replace worn parts.

NOTES: UNLESS OTHERWISE SPECIFIED
 DO NOT SCALE DRAWING. DRAWN IN SOLIDWORKS.
 ALL DIMENSIONS ARE IN MILLIMETERS.



3rd ANGLE PROJECTION



1031 Goodworth Drive, Apex, NC 27539, USA
 Tel: +1.919.772.0115 Email: info@ati-ia.com
 Fax: +1.919.772.8259 www.ati-ia.com
 ISO 9001 Registered Company

DRAWN BY: D. Swanson 6/15/04	TITLE: 200 Series Tool Cover for HA6		
CHECKED BY: A. Odham, 6/16/04	SCALE: 1:4	SIZE: B	DRAWING NUMBER: 9230-20-1999-03
WEIGHT LBS: 7.4	PRODUCT RELEASE #	DATE:	SHEET 1 OF 1